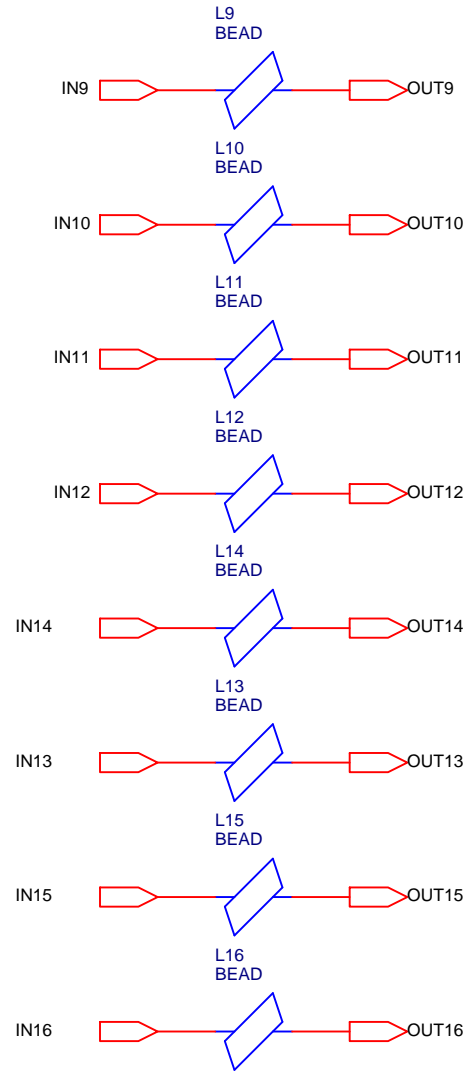
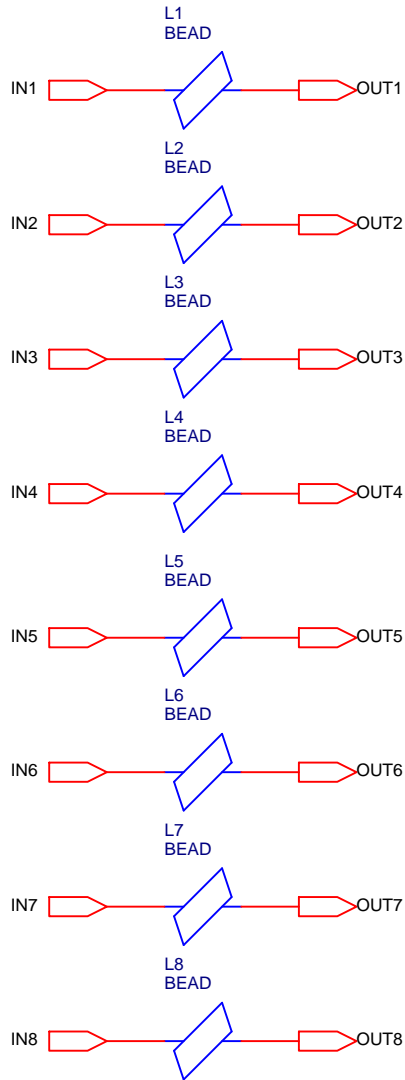


D

C

B

A



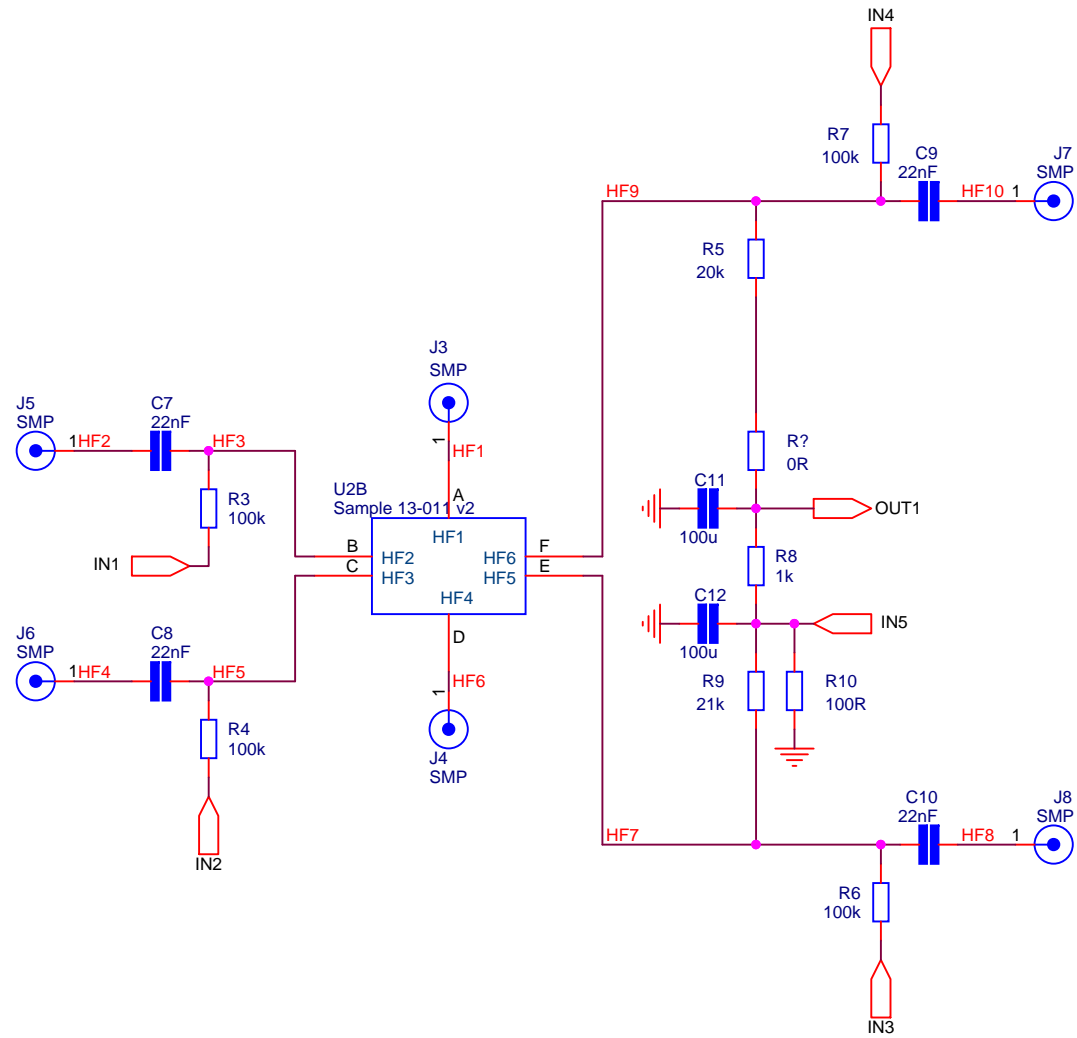
Title		
Cassidy I		
Size	Document Number	Rev
A4	13-011; Filters	V3
Date:	Thursday, April 14, 2016	Sheet 4 of 5

D

C

B

A



Title		
Cassidy I		
Size	Document Number	Rev
A4	13-011; HF Layer	V3
Date:	Thursday, April 14, 2016	Sheet 5 of 5